



ACS EF MOUNT User's Manual

About EF Mount Adapter	2
Mount the EF Mount Adapter	3
Mount the Lens	4
Revision History	5
Contacts	6

February 2024

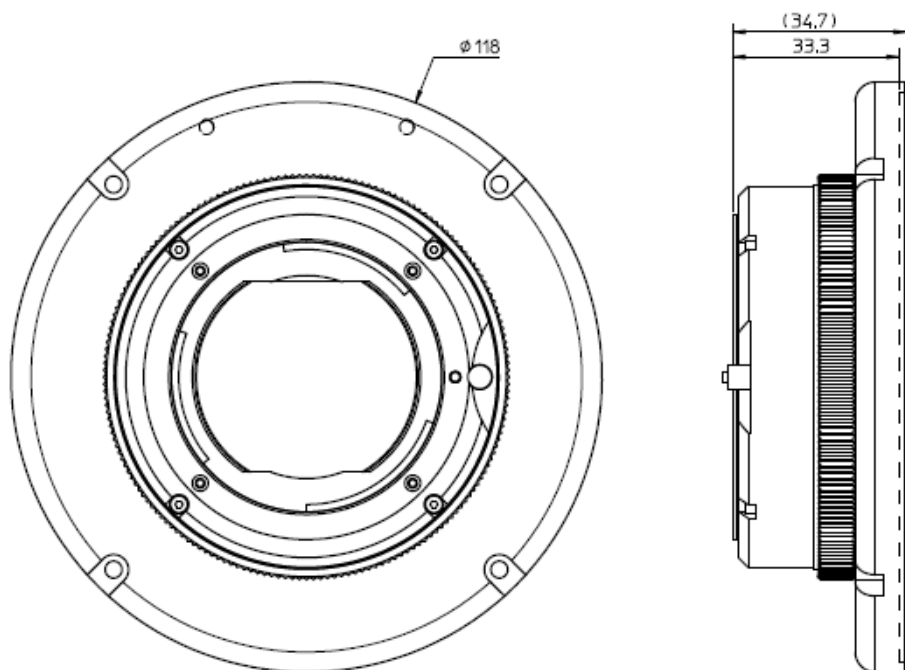
Please refer to the MEMRECAM ACS User's Manual for instructions on how to use the MEMRECAM ACS system.

About EF Mount Adapter

EF Mount Adapter

External Dimensions (W×H×D)	118 × 118 × 34.7 mm
Weight	About 0.3 kg
Compatible Lens	EF Mount lens (EF-S, EF-M, and RF lenses cannot be used)
Power supply	12V (Supplied from camera body)
Operating Temperature and Humidity	0 to 40°C, 20 to 80%RH (no condensation)
Storage Temperature and Humidity	-10 to 60°C, 20 to 80%RH (no condensation)
Communication	RS-232C, 115,200bps
Control	Focus and aperture can be controlled when the mounting of the lens is recognized by MLink.(V-PAD cannot control) Manual and automatic control can be used. Focal length information can be obtained.

External Appearance

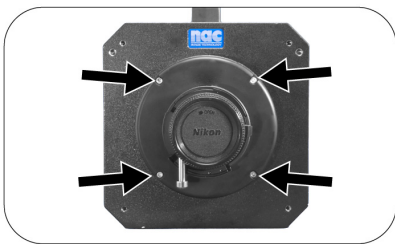


Mount the EF Mount Adapter



•A lens mount adapter such as the EF mount adapter is adjusted to each camera. It cannot be mounted on other cameras.

1 Turn OFF the ACS and the AC adapter.



2 Remove the fixing screws on the lens mount mounted on the ACS.
•Do not lose the screws.



3 Attach the ACS and EF mount electronic contacts together.



- You can see the protective glass when you remove the mount adapter. it's surface should not be touched. If dirt adheres to it, the image quality deteriorates.
- The protective glass is easily damaged. If dirty with oil or dirt, contact your dealer or us for cleaning
- Do not touch the electronic contacts as doing so may cause a failure.



4 Use the screws removed in 2 to secure the C mount adapter. When fixing with screws, the electronic contacts are springs, so fix while pressing.

The EF mount lens can be mounted on the EF mount adapter.
EF-S, EF-M, and RF lenses cannot be used.

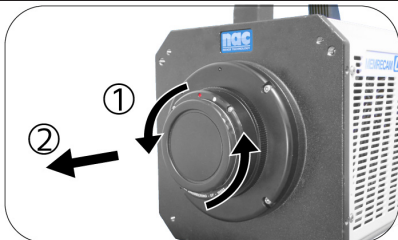


•Make sure to install the mount cap when detaching the lens from the MEMRE-CAM ACS. Additionally, make sure that dirt or contamination do not get inside the mount.

Mount the Lens

The mount adapter is secured with 4 screws to the front panel of the MEMRECAM ACS. This describes how to mount the lens, using the EF mount .

■ Mount the EF Mount Lens



1

Remove the cap

- Turn the ACS mount adapter cap in the direction of the arrows to remove (1).
Remove the lens cap (2).



2

Mount the lens

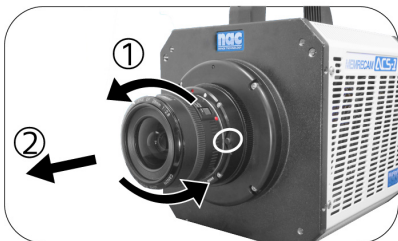
- Line up the lens with the mount adapter screw (1) and turn the lens in the direction of the arrows until it stops (2).



Attention

- The lenses are sold separately.
- Refer to the user's guide for lens for the proper handling of the lens.

■ Remove the EF Mount Lens



1

Remove the lens

- While pressing the lens eject button of the mount adapter, rotate the lens in the opposite direction from when attaching the lens (1). Rotate the lens about 1/4 turn to remove (2).



Attention

- Be careful not to drop the lens when you remove it.



Attention

- If there is no lens mounted on the MEMRECAM ACS, make sure to put a mount cap on. Also, use caution to prevent dirt and contamination from getting into the mount.

Revision History

ACS EF MOUNT User's Manual Revision History

Revision	Date of issue	Changes
A	April 2020	First edition
B	August 2020	Change USA Contact Information
C	March 2023	Change European Contact Information
D	February 2024	Change Contact Information

nac Image Technology Inc.

Contacts

■ Japan/Asia Contact

nac Image Technology Inc.

Address	2-11-3 Kita-Aoyama, Minato-ku Tokyo 107-0061 Japan
TEL	+81 3-3796-7903
FAX	+81 3-3796-7908
E-mail:	nacinternational@camnac.co.jp
Website:	https://www.nacinc.jp/

■ For the other regions

Website: www.nacinc.com/contact/

